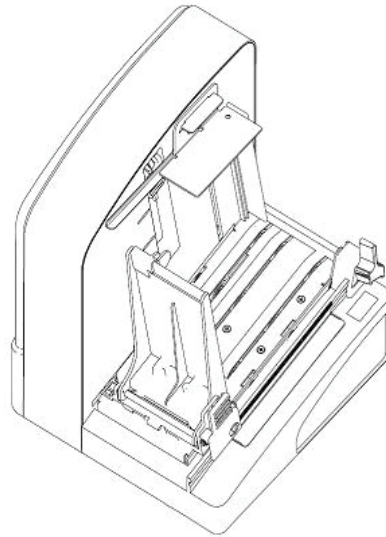




# Stacker Parts List

For printer model:

**TG3 Series**



PN: 9001229(A)

## **Copyrights**

The contents of this document are proprietary information of SATO Corporation and/or its subsidiaries in Japan, the U.S and other countries. No part of this document may be reproduced, copied, translated or incorporated in any other material in any form or by any means, whether manual, graphic, electronic, mechanical or otherwise, without the prior written consent of SATO Corporation.

## **Limitation of Liability**

SATO Corporation and/or its subsidiaries in Japan, the U.S. and other countries, makes no representations or warranties of any kind regarding this material, including, but not limited to, implied warranties of merchantability and fitness for a particular purpose. SATO Corporation shall not be held responsible for errors contained herein or any omissions from the materials or for any damages, whether direct, indirect, incidental or consequential, in connection with the furnishing, distribution, performance, or use of this material.

SATO Corporation reserves the right to change or improve this product and document without notice.

## **Trademarks**

SATO is a registered trademark of SATO Corporation and/or its subsidiaries in Japan, the U.S and other countries.

**SATO America, Inc.**  
**10350 Nations Ford Road**  
**Charlotte, NC 28273**  
**Main Phone: (704) 644.1650**  
**Technical Support: (704) 644.1660**  
**Technical Support Fax: (704) 644.1661**  
**E-Mail: [satosales@satoamerica.com](mailto:satosales@satoamerica.com)**  
**[www.satoamerica.com](http://www.satoamerica.com)**  
**© Copyright 2010 SATO America, Inc.**  
**All rights reserved.**

# STACKER ASSEMBLY 1

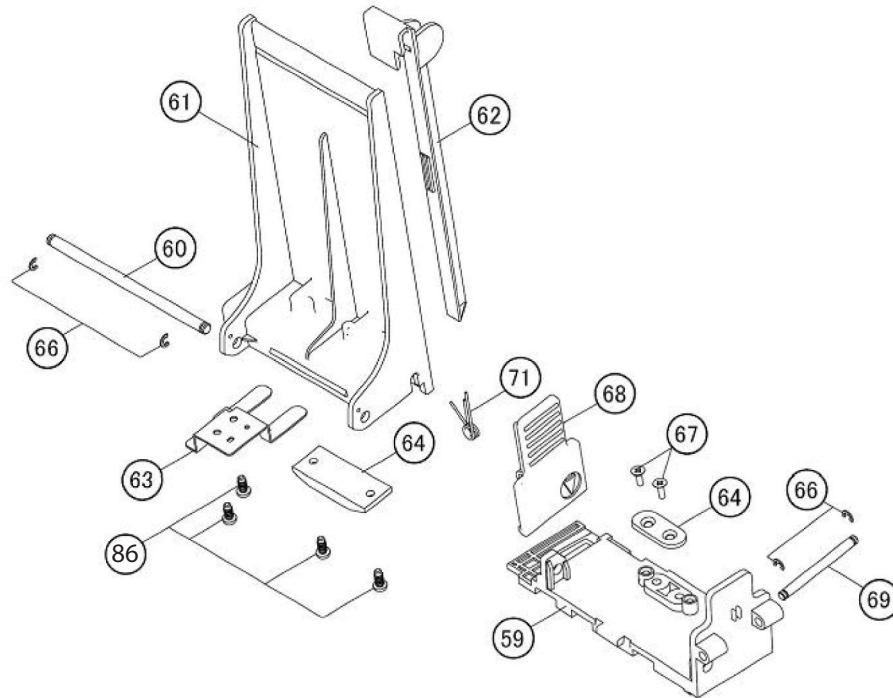


Figure PL1a, Stacker Assembly 1

STACKER ASSEMBLY 1 (PL1A)		
ITEM	PART NUMBER	PART DESCRIPTION
59	P27325040	TAG STOPPER BASE
60	P27428000	SHAFT (TAG STOPPER)
61	P27327040	TAG STOPPER
62	P27328010	LABEL GUIDE
63	P27304020	LIFT PLATE
64	P34283000	MAGNET CATCH
66	ND0030030	E SNAP RING
67	MA1300822	FLAT HEAD SCREW
68	P27326010	CLIP
69	P27429000	SHAFT (CLIP)
71	P27665010	SPRING (CLIP)
86	MH1300822	FLAT HEAD P TIGHT SCREW

# STACKER ASSEMBLY 2

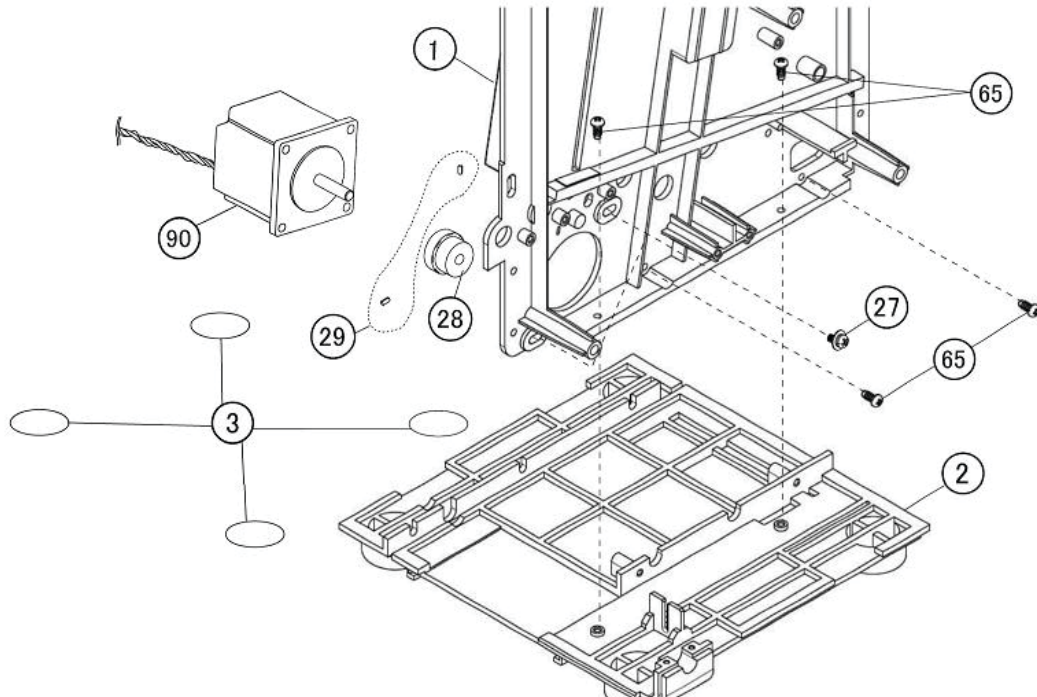


Figure PL2a, Stacker Assembly 2

STACKER ASSEMBLY 2 (PL2A)		
ITEM	PART NUMBER	PART DESCRIPTION
1	R14392020	STACKER FRAME ASSEMBLY
2	P27312000	BASE (STACKER)
3	PV2760100	RUBBER FOOT
27	MD3401022	PAN HEAD SCREW+SW+WS
28	PR7762100	MOTOR PULLEY SET
29	MJ1400528	HEX SOCKET SET SCREW
65	MH0300822	PAN HEAD P TIGHT SCREW
90	R14299010	MICRO SW/STACKER MOTOR CORD ASSY_ST-LF

## STACKER ASSEMBLY 3

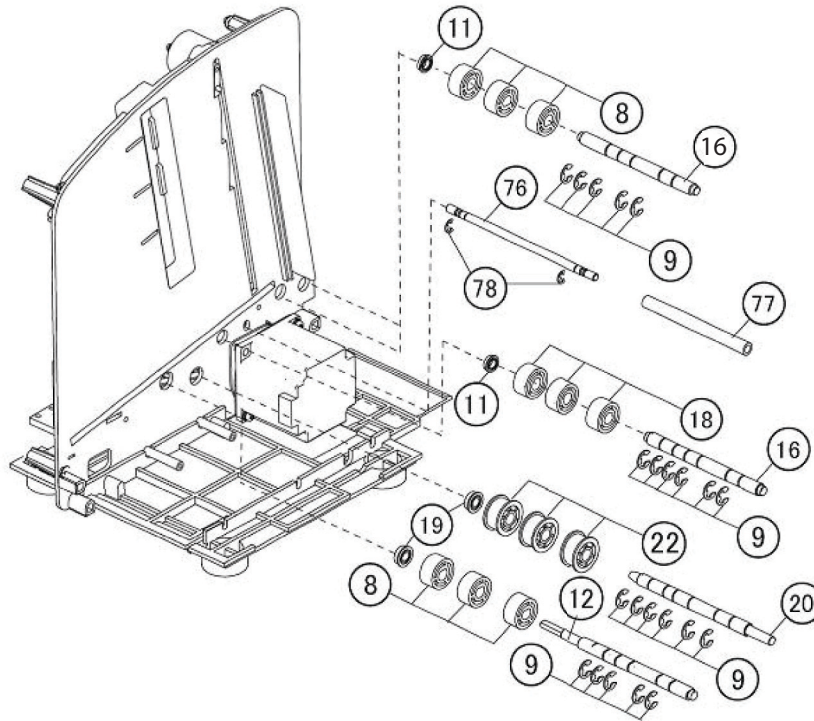


Figure PL3a, Stacker Assembly 3

STACKER ASSEMBLY 3 (PL3A)		
ITEM	PART NUMBER	PART DESCRIPTION
8	R14488000	PULLEY (32) S SUB
9	ND0060030	E RING
11	PT1112060	BALL BEARING
12	P27421030	SHAFT (FEED ROLLER)
16	P27422020	SHAFT (TENSION)
18	PE2760400	ROLLER (8*20*10)
19	PT1116060	BALL BEARING
20	P27423020	SHAFT (IDLE)
22	PE8762100	ROLLER (8*20*12)
76	P27433010	SHAFT (ADJUST)
77	P32151010	ROLLER (10X5X90)
78	ND0040030	E SNAP RING

# STACKER ASSEMBLY 4

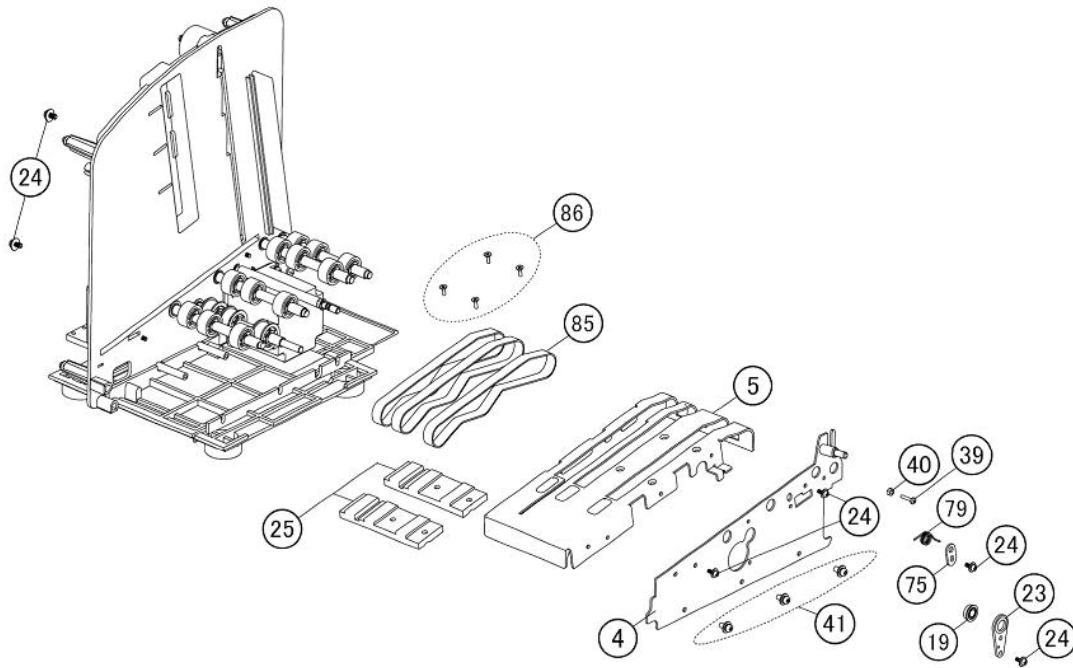


Figure PL4a, Stacker Assembly 4

STACKER ASSEMBLY 4 (PL4A)		
ITEM	PART NUMBER	PART DESCRIPTION
4	R12286000	SIDE FRAME ASSY
5	P27299020	STOCK TABLE
19	PT1116060	BALL BEARING
23	PA3760500	SUPPORTER CLAMP
24	MD4300822	PAN HEAD SCREW+SW+WL
25	P27316010	BELT GUIDE
39	MA0301022	PAN HEAD SCREW
40	MT1300522	HEXAGON NUT
41	MD4400822	PAN HEAD SCREW+SW+WL
85	PT8760200	TIMING BELT
86	MH1300822	FLAT HEAD P TIGHT SCREW

## STACKER ASSEMBLY 5

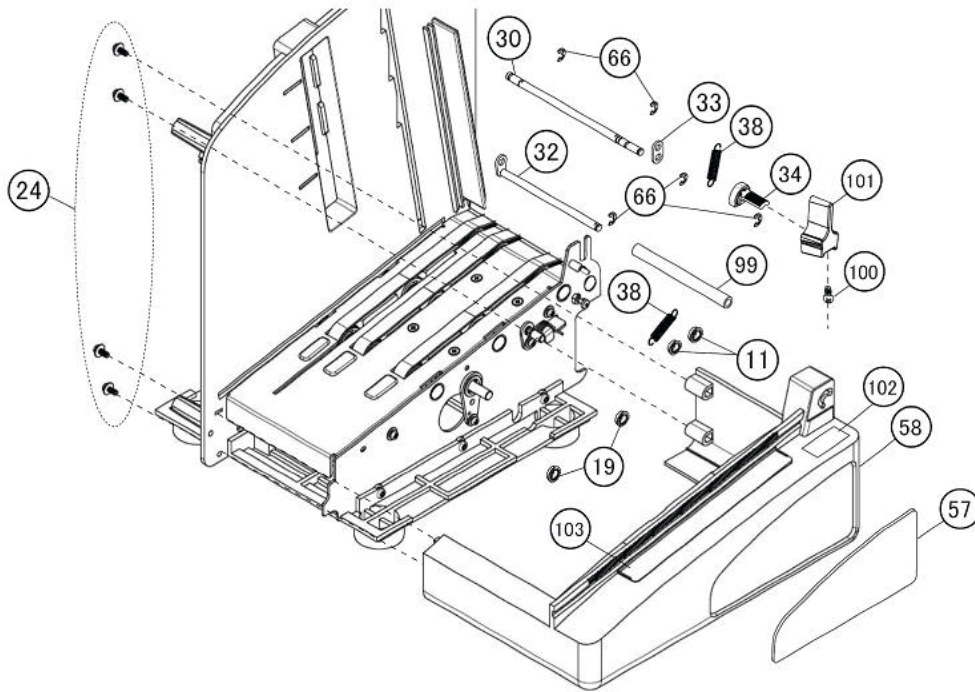


Figure PL5a, Stacker Assembly 5

STACKER ASSEMBLY 5 (PL5A)		
ITEM	PART NUMBER	PART DESCRIPTION
11	PT1112060	BALL BEARING
19	PT1116060	BALL BEARING
24	MD4300822	PAN HEAD SCREW+SW+WL
30	P27424010	SHAFT (PRESSURE B)
32	R13674010	JOINT PIECE ASSY
33	P27300010	JOINT PIECE A
34	P27318010	KNOB (PRESSURE)
38	P27667000	SPRING (PRESSURE)
57	R14554010	FRONT PANEL (SILK) TG
58	R14313000	COVER RH SUB
66	ND0030030	E SNAP RING
99	P34760000	ROLLER
100	MH0300622	PAN HEAD P TIGHT SCREW
101	P34201000	KNOB_B (PRESSURE)
102	Q02714000	STICKER (TAG/LABEL) TG
103	Q02460010	STICKER (SCALE)

# STACKER ASSEMBLY 6

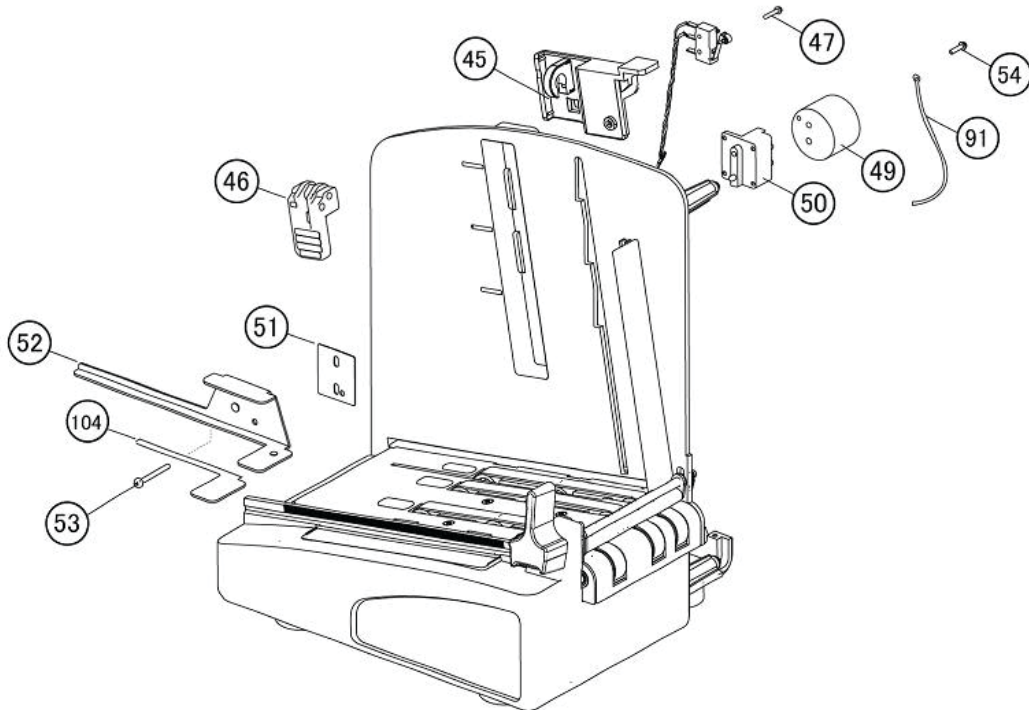


Figure PL6a, Stacker Assembly 6

STACKER ASSEMBLY 6 (PL6A)		
ITEM	PART NUMBER	PART DESCRIPTION
45	R14314020	LOCK BASE ASSY
46	P27321010	LOCK LEVER
47	MD3201222	PAN HEAD SCREW+SW+WS
49	P27426000	WEIGHT
50	P27322020	TAG PRESSURE (C)
51	PE1690010	TAG PRESSURE (B)
52	P27302000	TAG PRESSURE (A)
53	MA0302522	PAN HEAD SCREW
54	MD3300822	PAN HEAD SCREW+SW+WS
91	RH1768510	FG CORD (STACKER)-LF
104	P36575000	SEAT (TAG PRESS)



## STACKER ASSEMBLY 7

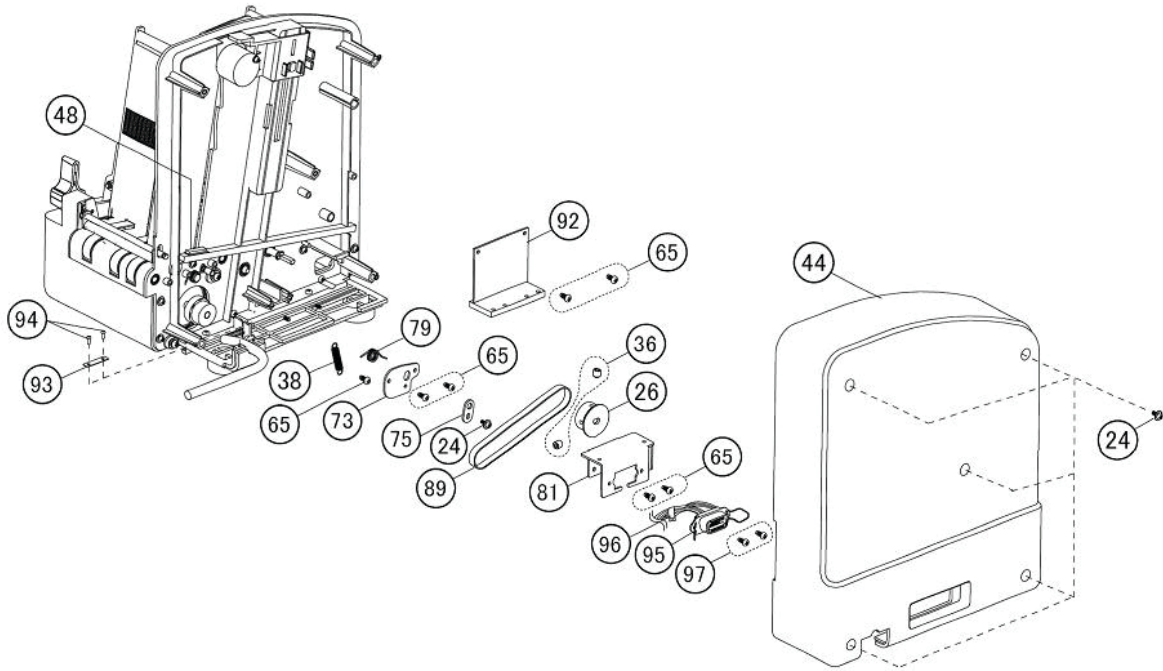


Figure PL7a, Stacker Assembly 7

STACKER ASSEMBLY 7 (PL7A)		
ITEM	PART NUMBER	PART DESCRIPTION
24	MD4300822	PAN HEAD SCREW+SW+WL
26	PR1481000	DRIVEN PULLEY
36	MJ1300328	HEX SOCKET SET SCREW (W-POINT)
38	P27667000	SPRING (PRESSURE)
44	P27319010	COVER LH
48	P37016000	STOPPER RUBBER
65	MH0300822	PAN HEAD P TIGHT SCREW
73	P27306000	IDRA PLATE
75	P27310000	IDRA HOLD PLATE
79	P27666000	SPRING (TENSION)
81	PA3768900	PCB BRACKET
89	PT8122064	TIMING BELT
92	R14298000	STACKER PCB SET-LF
93	PA3765400	STOPPER
94	MH0250622	PAN HEAD P TIGHT SCREW
95	R14188000	STACKER EXT CABLE SET-LF

<b>STACKER ASSEMBLY 7 (PL7A)</b>		
<b>ITEM</b>	<b>PART NUMBER</b>	<b>PART DESCRIPTION</b>
96	JG100011A	TIE WRAP
97	MA0300822	PAN HEAD SCREW

## STACKER ASSEMBLY 8

---

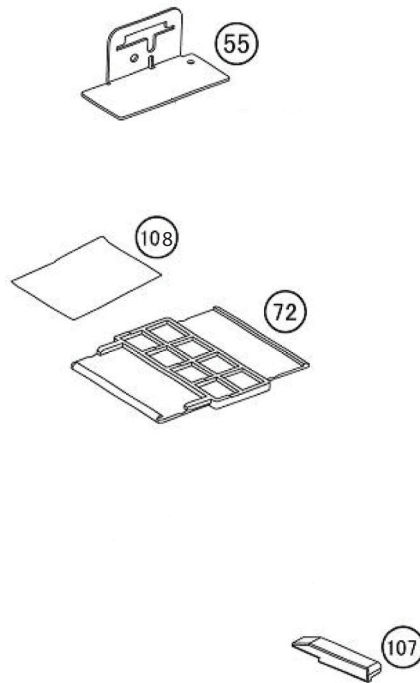


Figure PL8a, Stacker Assembly 8

STACKER ASSEMBLY 8 (PL8A)		
ITEM	PART NUMBER	PART DESCRIPTION
55	P27303000	TAG WEIGHT
72	P27329020	PLATE (JOINT)
107	R16148000	LAMI-SPACER ASSEMBLY
108	Q00005000	POLY BAG

